

*α*STEP

AZ Series

EtherNet/IP™ Compatible Driver

AZ Series drivers now include EtherNet/IP communications for a battery-free, absolute mechanical sensor motor and driver solution. For use with all Oriental Motor Series **AZ** motors and linear & rotary actuators equipped with the **AZ** Series.



AC Input

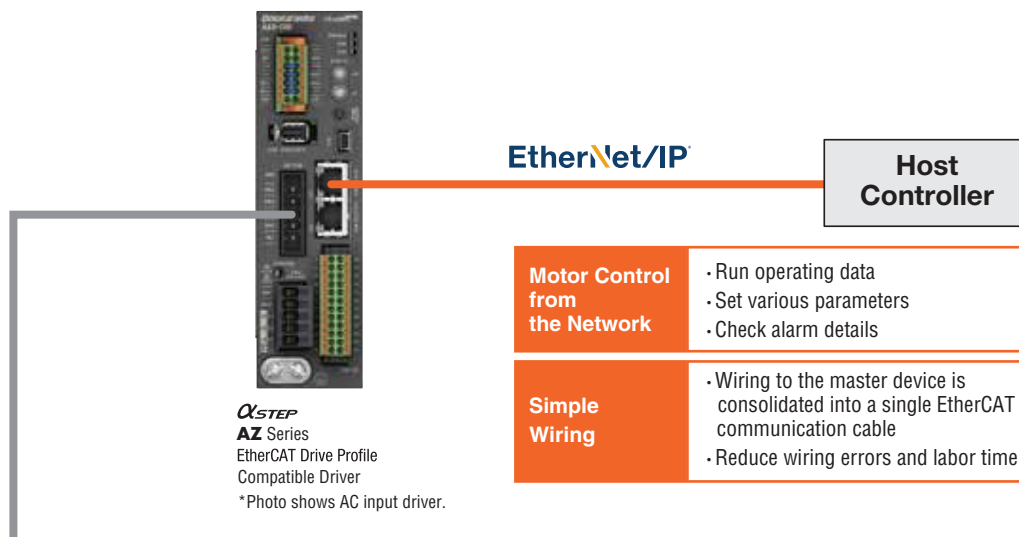










DC Input

EtherNet/IP®

AZ Series Family of Motion Control with EtherNet/IP

Easily control the **AZ** Series by directly connecting to the EtherNet/IP master device using a single EtherCAT communications cable. This allows for quick and simple wiring.



AZ Series Motors and Linear & Rotary Actuators			
*The Products shown below are representative examples.			
AC Input / DC Input			
 AZ Series	 Hollow Rotary Actuators DGII Series Equipped with AZ Series	 Electric Linear Slides EAS Series Equipped with AZ Series	 Electric Cylinders EAC Series Equipped with AZ Series
AC Input Only		DC Input Only	
 Rack and Pinion Systems L Series Equipped with AZ Series	 Compact Electric Cylinders DR Series	 Compact Electric Cylinders DRS2 Series	 Electric Gripper EH Series

Visit www.orientalmotor.com

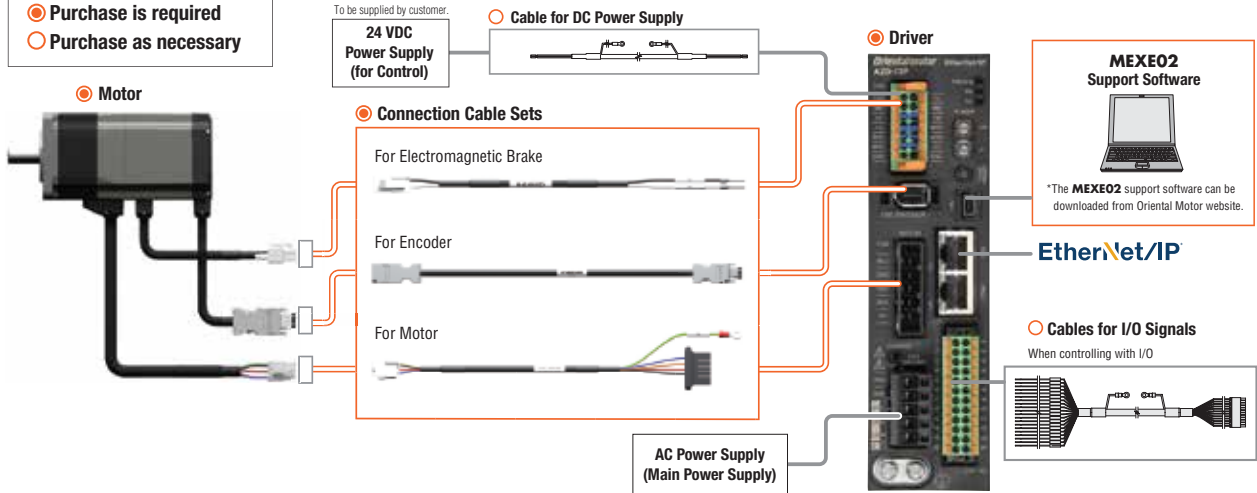
For further information (specifications, dimensions, speed-torque characteristics)

System Configuration

AC Input



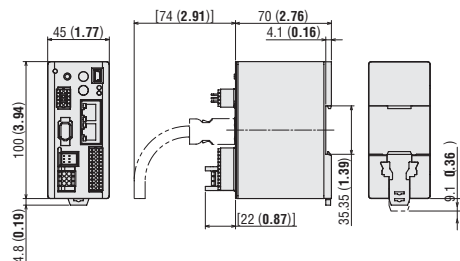
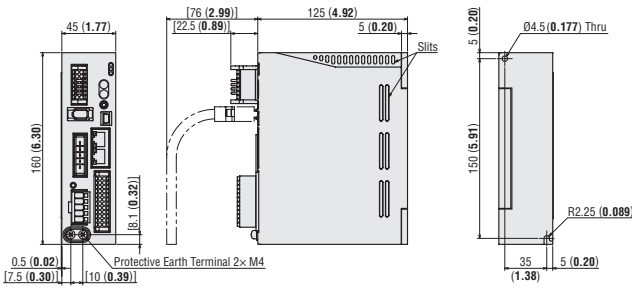
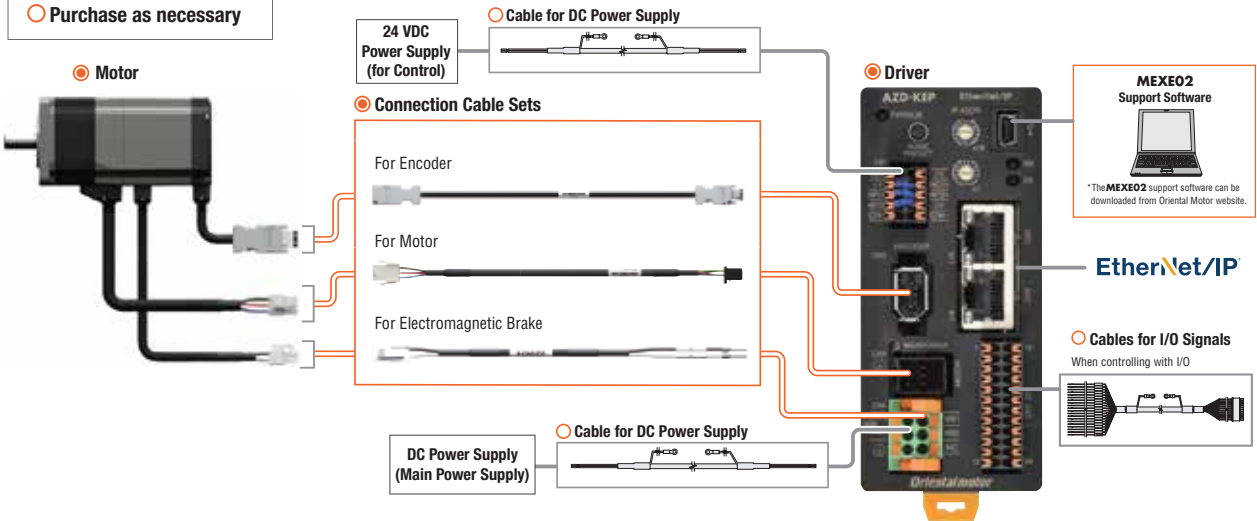
- Purchase is required
- Purchase as necessary



DC Input



- Purchase is required
- Purchase as necessary



Power Supply Input	Product Name	List Price
Single-Phase 100-120 VAC	AZD-AEP	\$656.00
Single-Phase/Three-Phase 200-240 VAC	AZD-CEP	\$656.00

Power Supply Input	Product Name	List Price
24/48 VDC	AZD-KEP	\$506.00

ORIENTAL MOTOR U.S.A. CORP.

Technical Support Tel: 800-468-3982 7:30A.M. - 7:00P.M. C.S.T (M-F) E-mail: techsupport@orientalmotor.com

- 1,500 Products Next Day Shipping
- Free Sizing

- Over 10,000 Products Shipped within 7~9 Business Days
- Global Support